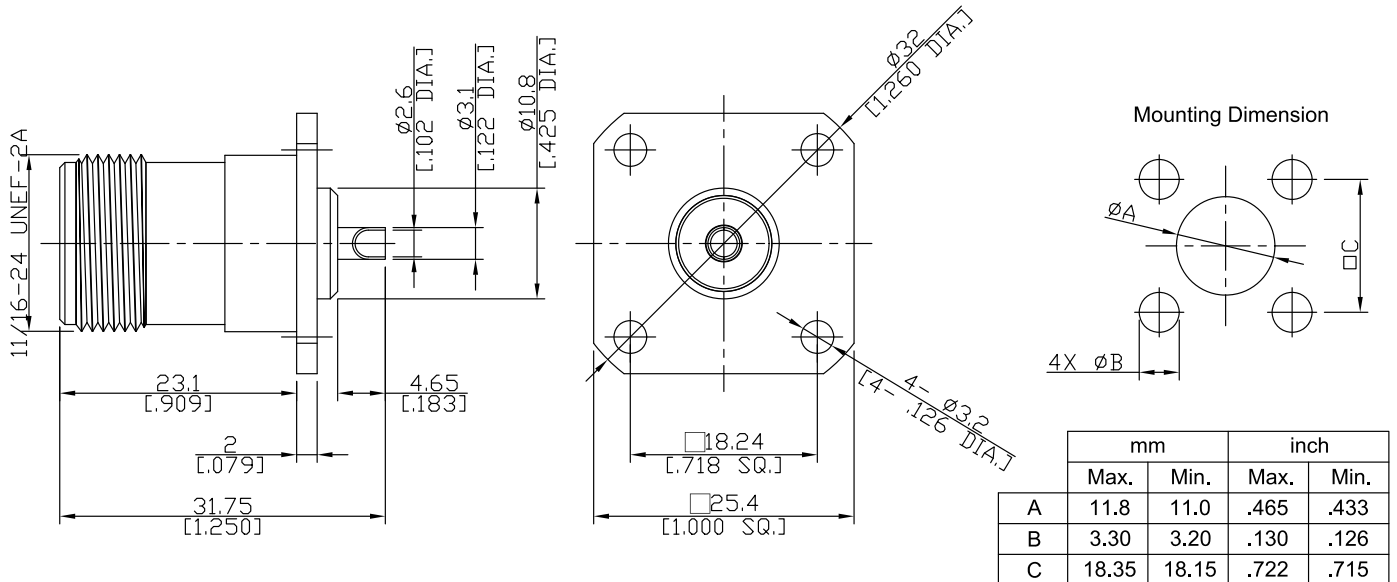


SC Jack (Female) Straight Connector, Solder Accessory, 4 Hole Flange Mount, Solder Cup Terminals, 18.24mm (.718inch)Hole Spacing DC-11GHz

SC2GFB50-3175A / H4



All dimensions are in mm [inch]
Tolerances according to DIN ISO 2768-mH

Interface

According to MIL-STD-348B/309; MIL-PRF-39012

Electrical Data

Impedance 50 Ω
Frequency DC to 11 GHz
VSWR (Return Loss) -
Insertion Loss ≤ 0.1 x √F (GHz) dB
Insulation Resistance ≥ 5 GΩ
Center Contact Resistance ≤ 1 mΩ
Outer Contact Resistance ≤ 0.15 mΩ
Working Voltage (at sea level) 500 V rms
-VSWR in application depends decisive on PCB layout or cavity design-

Material And Plating

Piece Parts	Material	Plating
Centre contact	Phosphor Bronze	Gold plating (Non-magnetic nickel-phosphorus underplating)
Body	Brass	Copper-Tin-Zinc Alloy
Insulator	PTFE	

SC Jack (Female) Straight Connector, Solder Accessory, 4 Hole Flange Mount, Solder Cup Terminals, 18.24mm (.718inch)Hole Spacing DC-11GHz

SC2GFB50-3175A / H4

Mechanical Data

Coupling mechanisms	Screw-lock
Mating Cycles	min. 500
Centre Contact	Soldered
Terminal Type	Solder cup
Captivated Type	Mechanical
Coupling Test Torque	1.7 Nm max.
Recommended Torque	0.7 Nm to 1.1 Nm

Environmental Data

Temperature Range	-65°C to +165°C
Thermal shock	MIL-STD-202, Meth. 213, Cond. A
Corrosion	MIL-STD-202, Meth. 101, Cond. B
Vibration	MIL-STD-202, Meth. 204, Cond. B
Shock	MIL-STD-202, Meth. 213, Cond. B
Moisture Resistance	MIL-STD-202, Meth. 106
RoHS	compliant

Packing

Single or 100